

SUB-ZERO DESIGN GUIDE





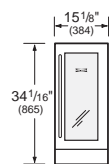
CONTENTS

Built-In Refrigeration	4
Integrated Refrigeration	31
Wine Storage	50
Undercounter Refrigeration	67
Warranty	77

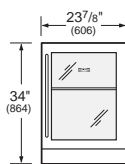
Features and specifications indicated herein and on our website are subject to change at any time without notice. Check our website, subzero.com, for the most up-to-date specifications.



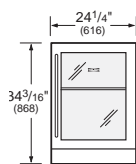
UNDERCOUNTER



MODEL 315W
Built-In

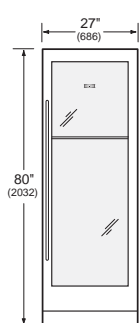


MODEL 424
Built-In

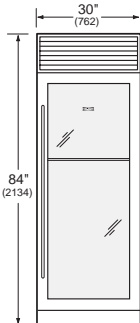


MODEL 424FS
Free-Standing

ALL WINE STORAGE

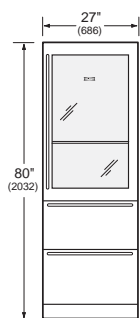


MODEL 427
Integrated



MODEL 430
Built-In

WINE STORAGE | REFRIGERATOR



MODEL 427R
Integrated

K With the installation of a harness kit, Wine Storage models, except Model 315W, are Star-K compliant to meet strict religious regulations in conjunction with specific instructions found on www.star-k.org. For details about the harness kit, contact your Sub-Zero dealer.

The illustrations represent the full line of Wine Storage models. The Model 424FS free-standing unit comes with a classic stainless steel exterior.

Comprehensive installation instructions are shipped with each model. Refer to those instructions in preparing and installing all Sub-Zero products. The instructions can also be found on our website, subzero.com.

Dimensions in parentheses are in millimeters unless otherwise specified.

WINE STORAGE

Sub-Zero's innovative addition to its complete line of residential refrigeration is wine storage equipment—the ultimate in beauty, engineering, and attention to detail. From the exterior and the smooth lines of the free-standing Model 424FS classic stainless steel to the ability to use wood on the Built-In and Integrated models, each unit is beautiful.

With the exception of the free-standing Model 424FS, each model is available in three stainless steel finishes and will have the capability of having wood panels applied to the doors. With the Model 427R, you can also apply the wood to the drawers.

The new Model 315W, a single-zone Wine Storage unit, comes only with a glass door and can be ordered as an overlay or classic stainless steel unit.

The free-standing Model 424FS does not require any panels or surrounding cabinetry; it comes with classic stainless steel exterior.

All models will be shipped with glass doors as standard equipment. The glass doors allow one to see the wine that is being stored. Optional solid doors and high altitude glass doors will be treated as special orders and must be ordered 90 days before you expect delivery. Model 315W cannot be ordered with a solid door.

Stainless steel models will be shipped with tubular stainless steel handles, while the overlay models will come with no handle hardware. Optional stainless steel panels and handles for Models 427 and 427R are offered in the classic, platinum and carbon stainless steel finishes and are ordered and shipped as sales accessories. The stainless steel Models 424 and 430 must be ordered in one of three stainless steel finishes of classic, platinum and carbon.

Optional handles are available for all models except the framed and stainless steel Model 430. The framed Model 430 will come with an extruded handle identical in design to our Built-In models.

Standard grille assemblies for the Model 430 will be provided in 1" (25) increments from 10" (254) to 15" (381). The standard height will be 11" (279). The framed model will have a louvered grille, the stainless steel model will feature a heavy-duty grille, and the overlay model will have the panel grille, which accepts decorative panel inserts.

For information regarding specific Wine Storage models, refer to the illustrations in this section.



FEATURES AND OPTIONS

When looking for wine storage, you no longer have to think only about an undercounter application. Sub-Zero offers you complete flexibility from the perspective of design applications and storage capabilities.

Model 315W, a single-zone Wine Storage unit, comes as an overlay or classic stainless steel unit and is offered only with a glass door.

Model 424 comes in the overlay and stainless steel door panel configurations. Model 424FS (free-standing) is identical to the Model 424 but with classic stainless steel exterior and is designed to be attractive in a stand-alone setting. Models 424 and 424FS are available in either a glass or solid door model.

Models 427 and 427R are offered as integrated or stainless steel and are available in either a glass or solid door model. Optional stainless steel panels and handles are offered in classic, platinum and carbon stainless steel finishes at the 80" (2032) height, and only classic stainless steel at the 84" (2134) height. Stainless steel panels are available as sales accessories.

Model 430 comes in the framed, overlay and stainless steel options and is available in either a glass or solid door model. Stainless steel Model 430 must be ordered in one of the stainless steel finishes of classic, platinum and carbon.

Built-In Look. Sub-Zero offers you a host of design alternatives to choose from when selecting the look you want. Wood or stainless steel, framed, overlay or integrated.

Dual Zone System*. With the exception of the single-zone Model 315W, all Wine Storage models allow you to have precise temperature control within one degree of your pre-set temperature in each of the two wine compartments.

Dual Refrigeration System*. In a similar fashion to our Built-In, each Wine Storage model has dual refrigeration so your client will have specific, individual temperature control of the two wine compartments.

Electronic Controls*. Microprocessor offers touch pad controls that are easy to understand and that set the temperatures accurately.

Display Shelf*. This beautiful shelf offers your clients the opportunity to display those prize bottles or magnums of wine in their collection. It is illuminated with discreet lighting mounted in the control panel. (Not available with Models 315W, 424 and 424FS.)

Storage Shelves. The sturdy, rustproof wire shelves can easily accommodate standard 750 ml bottles, half bottles, as well as magnums. All the shelves are finished off with a natural cherry wood facing. In addition, all shelves will enable you to be sure the wine is stored properly and that the corks are in contact with the bottles' contents.

Roller Assembly. All shelves have a roller assembly, which enables you to have a three-quarter extension for easy access to all bottles of stored wine.

Service Alert*. An indicator light will let you know if service may be necessary.

Home Alarm*. Wiring connections give you the option of hooking the Wine Storage unit up to your home security system.

Discreet Lighting. Our soft low-wattage lighting is independent of door opening.

Correct Temperature*. The range of each temperature zone is 38°F (3°C) to 65°F (18°C), and your set temperature is digitally displayed in the control panel.

Humidity. Proper humidity is maintained throughout the entire unit.

UV Protection. The tinted glass minimizes the amount of ultraviolet light entering the unit.

Lock*. A lock will be offered as an option for all Wine Storage models. The lock is offered as a sales accessory and should be ordered through your Sub-Zero dealer. Special planning is necessary when ordering locks for Models 427 and 427R, refer to page 61 for details.

Solid Door*. If you would like to order a model without glass, you have that option. This will be treated as a special order and must be ordered 90 days before you expect delivery.

High Altitude Glass. For installations above 5,000' (1524 m) in elevation, we offer the high altitude glass as a special order. The high altitude glass door is standard on Model 315W.

Tight Seal. Magnetic gaskets around the doors give extra-tight seals.

Kickplate. The solid, adjustable kickplate gives a true built-in look and conforms to American Institute of Architects standards.

Front Venting. All Sub-Zero Wine Storage models are designed for mechanical system airflow at the front of the appliance. Decorative panels must not cover louvered surfaces or prevent removal of louvered components.

SUB-ZERO WARRANTY

Sub-Zero products are covered by a two, five and twelve year residential warranty (exclusions apply). See warranty details at the end of this guide.

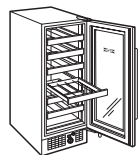
*Not available with Model 315W.

**MODEL 315W**UNDERCOUNTER
BUILT-IN**MODEL OPTIONS**Overlay Design **315W/O**Classic Stainless Steel **315W/S****SPECIFICATIONS**

Overall Width	15¹/₈" (384)
Overall Height	34¹/₁₆" (865)
Overall Depth	24" (610)
Wine Storage Capacity	26 bottles*
Min Height Required	34¹/₁₆" (865)
Door Swing Clearance	16⁵/₈" (422)
Specify Door Swing	LH or RH
Shipping Wt (O)	114 lbs (52 kg)
Shipping Wt (S)	118 lbs (54 kg)

FEATURES

- 1 Temperature Zone
- 4 (750 ml) Bottles per Standard Shelf
- 6 Standard Shelves (24 bottles*)
- 1 Fixed Bottle Holder (2 bottles*)
- Full-View High Altitude Glass Door

**MODEL 315W**

*750 ml bottles.

**High altitude glass doors are for installations at or above 5,000' (1524 m) in elevation and will be treated as a special order. Please allow 90 days for delivery. When ordering, add an (HA) before the (G) to obtain the correct model number.

***Optional stainless steel panels and handles are ordered and shipped as sales accessories. For additional information on panel and handle sizes and applications, check our website, subzero.com.

MODEL 424UNDERCOUNTER
BUILT-IN**MODEL OPTIONS**Overlay Design **424/O**Classic Stainless Steel **424/S**Platinum Stainless Steel **424/P**Carbon Stainless Steel **424/B**

Full-View Glass Door (standard)

High Altitude Glass Door**

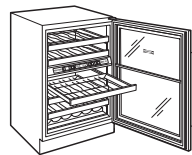
Solid Door

SPECIFICATIONS

Overall Width	23⁷/₈" (606)
Overall Height	34" (864)
Overall Depth	24" (610)
Wine Storage Capacity	46 bottles*
Min Height Required	34¹/₄" (870)
Door Swing Clearance	25³/₈" (645)
Specify Door Swing	LH or RH
Shipping Wt (glass)	190 lbs (86 kg)
Shipping Wt (glass/S/P/B)	195 lbs (88 kg)
Shipping Wt (solid)	185 lbs (84 kg)

FEATURES

- 2 Temperature Zones
- 8 (750 ml) Bottles per Standard Shelf
- 2 Top Zone Shelves (16 bottles*)
- 3 Bottom Zone Shelves (24 bottles*)
- 1 Fixed Bottle Holder (6 bottles*)
- Full-View Glass Door

**MODEL 424****ACCESSORIES**

Contact your Sub-Zero Dealer

Classic stainless steel front panels—platinum and carbon available in certain sizes (Models 427 and 427R)*

Tubular handles in classic, platinum and carbon stainless steel

Front, side and grille panels (framed Model 430)*

MODEL 424FSUNDERCOUNTER
FREE-STANDING**MODEL OPTIONS**

Full-View Glass Door (standard)

High Altitude Glass Door**

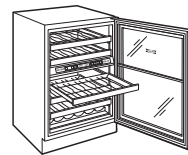
Solid Door

SPECIFICATIONS

Overall Width	24¹/₄" (616)
Overall Height	34³/₁₆" (868)
Overall Depth	24⁵/₈" (625)
Wine Storage Capacity	46 bottles*
Door Swing Clearance	25³/₈" (645)
Specify Door Swing	LH or RH
Shipping Wt	220 lbs (100 kg)

FEATURES

- 2 Temperature Zones
- 8 (750 ml) Bottles per Standard Shelf
- 2 Top Zone Shelves (16 bottles*)
- 3 Bottom Zone Shelves (24 bottles*)
- 1 Fixed Bottle Holder (6 bottles*)
- Full-View Glass Door
- Classic Stainless Steel Exterior and Door Frame

**MODEL 424FS**

Louvered, panel or stainless steel grilles in varied heights (Model 430)*

UL-approved door lock kit

Dual installation heater kit (Models 427 and 427R)*

*Accessory is available only for models listed.



MODEL 427

ALL WINE STORAGE

MODEL OPTIONS

- Full-View Glass Door (standard)
- High Altitude Glass Door**
- Solid Door

SPECIFICATIONS

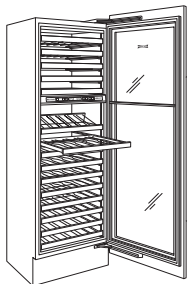
Overall Width	27" (686)
Overall Height	80" (2032)
Overall Depth	24" (610)
Wine Storage Capacity	132 bottles*
Min Height Required	79 1/2" (2019)
Door Swing Clearance	25 1/2" (648)
Specify Door Swing	LH or RH
Shipping Wt (glass)	395 lbs (179 kg)
Shipping Wt (solid)	386 lbs (175 kg)

FEATURES

- 2 Temperature Zones
- 9 (750 ml) Bottles per Standard Shelf
- 5 Top Zone Shelves (45 bottles*)
- 9 Bottom Zone Shelves (81 bottles*)
- 1 Display Shelf (6 bottles*)
- Full-View Glass Door

PANEL OPTIONS

- Integrated
- Classic, platinum or carbon stainless steel finish (includes handle)***



MODEL 427

MODEL 430

ALL WINE STORAGE

MODEL OPTIONS

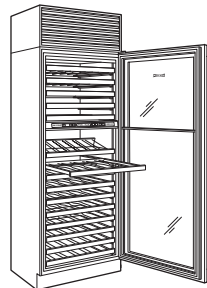
- Framed Design **430/F**
- Overlay Design **430/O**
- Classic Stainless Steel **430/S**
- Platinum Stainless Steel **430/P**
- Carbon Stainless Steel **430/B**
- Full-View Glass Door (standard)
- High Altitude Glass Door**
- Solid Door

SPECIFICATIONS

Overall Width	30" (762)
Overall Height	84" (2134)
Overall Depth	24" (610)
Wine Storage Capacity	147 bottles*
Min Height Required	83" (2108)
Door Swing Clearance	30 1/8" (765)
Specify Door Swing	LH or RH
Shipping Wt (glass)	435 lbs (197 kg)
Shipping Wt (glass/S/P/B)	445 lbs (202 kg)
Shipping Wt (solid)	412 lbs (187 kg)

FEATURES

- 2 Temperature Zones
- 10 (750 ml) Bottles per Standard Shelf
- 5 Top Zone Shelves (50 bottles*)
- 9 Bottom Zone Shelves (90 bottles*)
- 1 Display Shelf (7 bottles*)
- Full-View Glass Door



MODEL 430

MODEL 427R

WINE STORAGE | REFRIGERATOR

MODEL OPTIONS

- Full-View Glass Door (standard)
- High Altitude Glass Door**
- Solid Door

SPECIFICATIONS

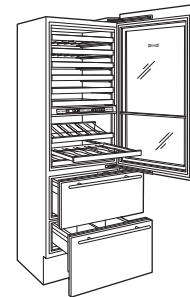
Overall Width	27" (686)
Overall Height	80" (2032)
Overall Depth	24" (610)
Wine Storage Capacity	78 bottles*
Refrigerator Capacity	5.3 cu ft (150 L)
Min Height Required	79 1/2" (2019)
Door Swing Clearance	25 1/2" (648)
Specify Door Swing	LH or RH
Drawer Clearance	19 1/2" (495)
Shipping Wt (glass)	410 lbs (186 kg)
Shipping Wt (solid)	406 lbs (184 kg)

FEATURES

- 3 Temperature Zones
- 2 Refrigerated Drawers
- 9 (750 ml) Bottles per Standard Shelf
- 6 Top Zone Shelves (54 bottles*)
- 2 Bottom Zone Shelves (18 bottles*)
- 1 Display Shelf (6 bottles*)
- Full-View Glass Door

PANEL OPTIONS

- Integrated
- Classic, platinum or carbon stainless steel finish (includes handles)***



MODEL 427R

NOTE: For Wine Storage standard glass door models, add (G) to the model number and for solid door models, add (S) to the model number (example 424G or 424S). The exception is Model 315W which is available as a glass door model only.



PLANNING INFORMATION

Review the Overall Dimensions and Installation Specifications illustrations for your Wine Storage model on the following pages. These specifications cover all the details you need to know about space allocation and placement of electrical, whether the models are framed, overlay, stainless steel or integrated.

All Wine Storage models must be installed so that the door can open a minimum of 90° or you will have problems pulling the wine shelves out. Refer to the door clearance and door swing information.

For corner installations, you need allow for a minimum 3" (76) filler so the door can open to 90°. If you are using larger handle hardware, you will also need to take that into account.

For a maximum 90° door opening, use the door stop built into the hinge system of Model 427. An optional 90° door stop kit for Model 430 is available from your Sub-Zero dealer.

If you will be connecting the unit to a home security system, you must allow a minimum of 36" (914) of the system's wiring to be routed in the electrical area designated for your model.

IMPORTANT NOTE: The anti-tip bracket must be installed to prevent the unit from tipping forward.

DUAL INSTALLATIONS

If you are installing a Wine Storage unit next to an existing Sub-Zero unit, you may have to allow for a filler strip.

If you are installing a Model 427 or 427R Wine Storage unit next to an existing Integrated Sub-Zero unit, with 2" (51) or less between the units, an optional heater kit (BBDUAL or TTDUAL) will need to be installed to prevent moisture from forming between the units. This optional kit is available through your Sub-Zero dealer.

ELECTRICAL REQUIREMENTS

A 115 V AC, 60 Hz, 15 amp circuit breaker and electrical supply are required. A separate circuit servicing only this appliance is required.

All Sub-Zero Wine Storage models are equipped with a power supply cord with a 3-prong grounding plug, which must be plugged into a mating 3-prong grounding-type wall receptacle. Follow the National Electrical Code and local codes and ordinances when installing the receptacle. Refer to the Installation Specifications illustrations on the following pages for electrical placement for your model.

IMPORTANT NOTE: A ground fault circuit interrupter (GFCI) is not recommended and may cause interruption of operation.

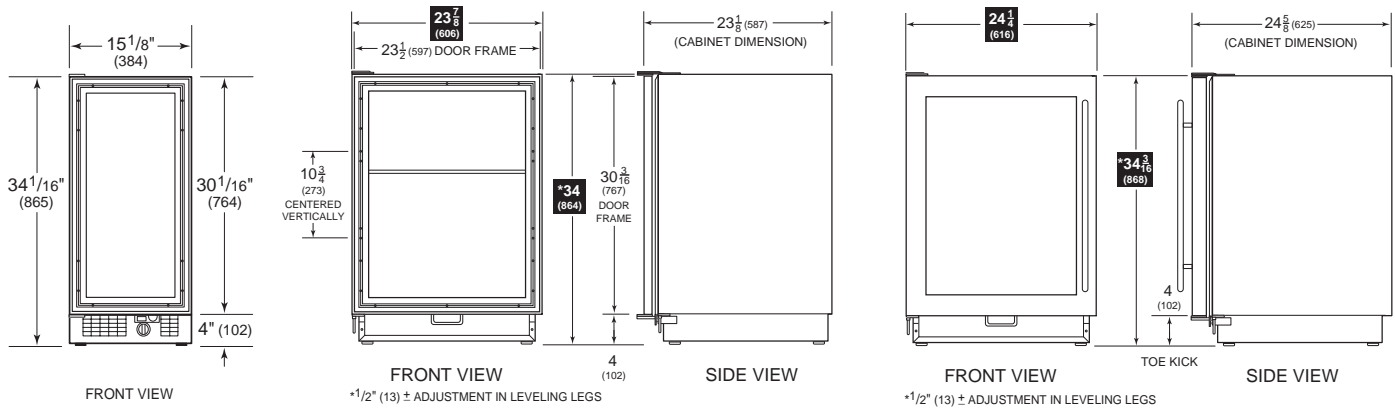
ACCESSORIES

Optional accessories are available through your Sub-Zero dealer. To obtain local dealer information, visit the Showroom Locator section of our website, subzero.com.

Dimensions in parentheses are in millimeters unless otherwise specified.



OVERALL DIMENSIONS
Undercounter Wine Storage



MODEL 315W
Built-In

Width 15 1/8" (384)
Height 34 1/16" (865)
Depth 24" (610)

MODEL 424
Built-In

Width 23 7/8" (606)
Height 34" (864)
Depth 24" (610)

MODEL 424FS
Free-Standing

Width 24 1/4" (616)
Height 34 3/16" (868)
Depth 24 5/8" (625)

UNDERCOUNTER

Model 315W
Built-In
Model 424
Built-In
Model 424FS
Free-Standing

Note the location of pre-drilled holes for optional handle hardware.

INSTALLATION SPECIFICATIONS
Undercounter Models

Model 315W

- A) Rough Opening Width 15 1/4" (387)
- B) Rough Opening Height 34 1/2" (876)
- C) Min Door Clearance 16 5/8" (422)
- D) Min Clearance at 90° 17 1/4" (438)

Model 424

- A) Rough Opening Width 24" (610)
- B) Rough Opening Height 34 1/2" (876)
- C) Min Door Clearance 25 3/8" (644)
- D) Min Clearance at 90° 26" (660)

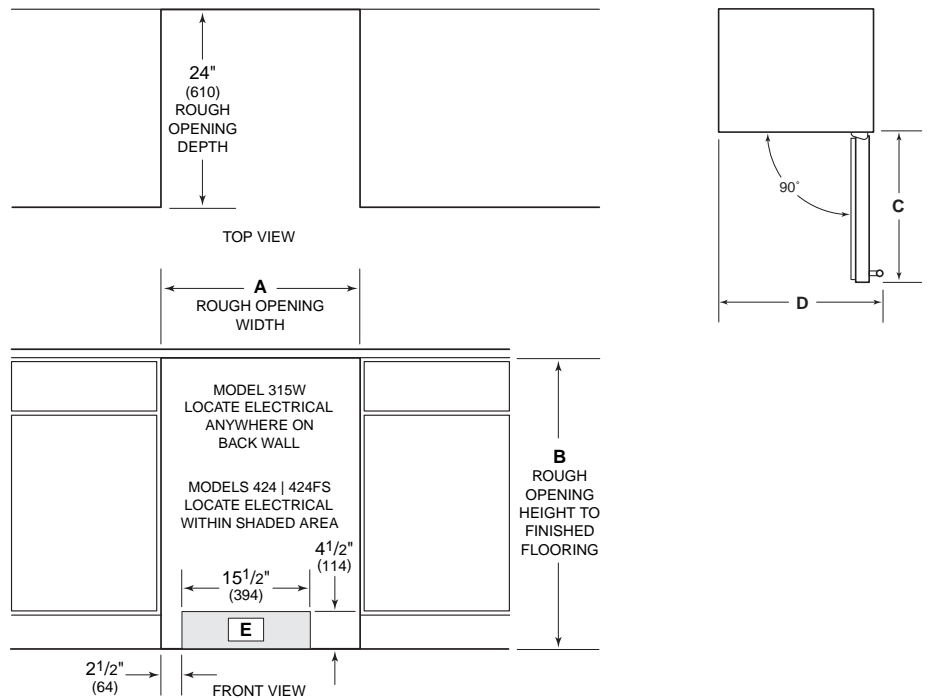
Model 424FS*

- C) Min Door Clearance 25 3/8" (644)
- D) Min Clearance at 90° 26" (660)

*Free-standing Model 424FS requires no surrounding cabinetry.

Dimensions are for finished rough openings.

Door swing clearances are based on stainless steel door and handle dimensions.



Refer to installation instructions shipped with each Wolf product for detailed specifications.



WINE STORAGE

OVERALL DIMENSIONS

All Wine Storage - Model 427

Wine Storage | Refrigerator - Model 427R

INTEGRATED

Model 427
All Wine Storage

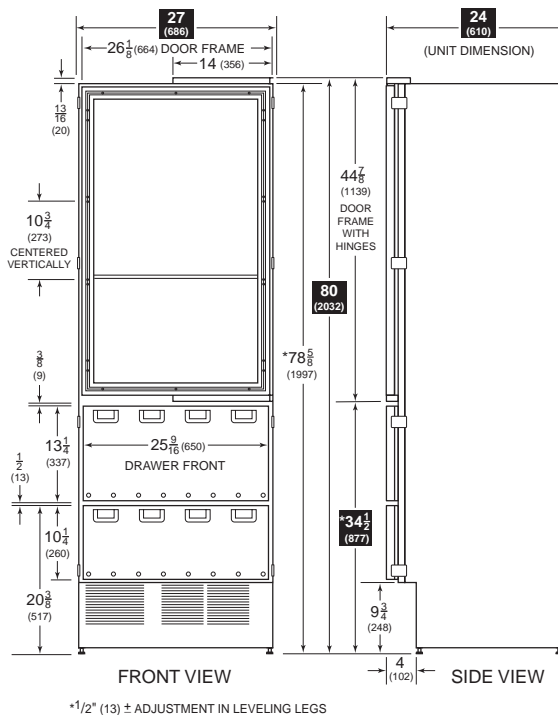
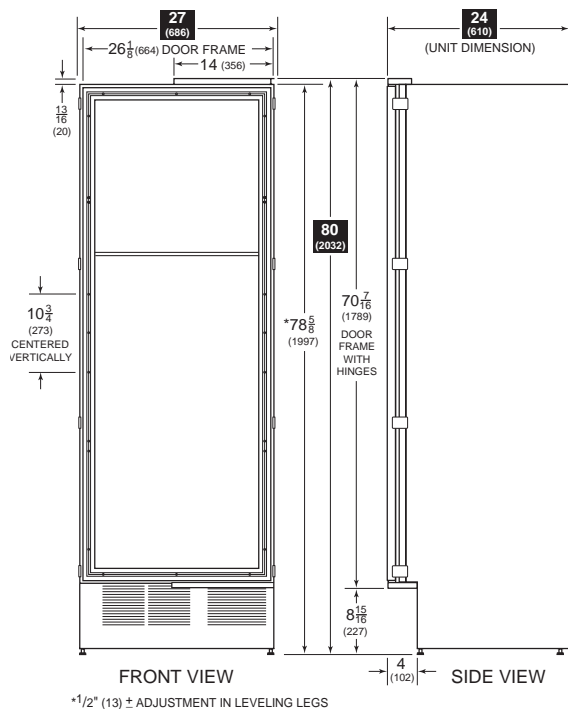
Model 427R
Wine Storage | Refrigerator

OVERALL DIMENSIONS

Model 427 | 427R

Width **27" (686)**
Height **80" (2032)**
Depth **24" (610)**

Note the location of pre-drilled holes for optional handle hardware.



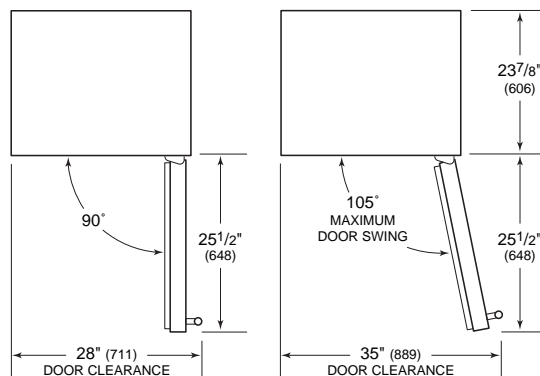
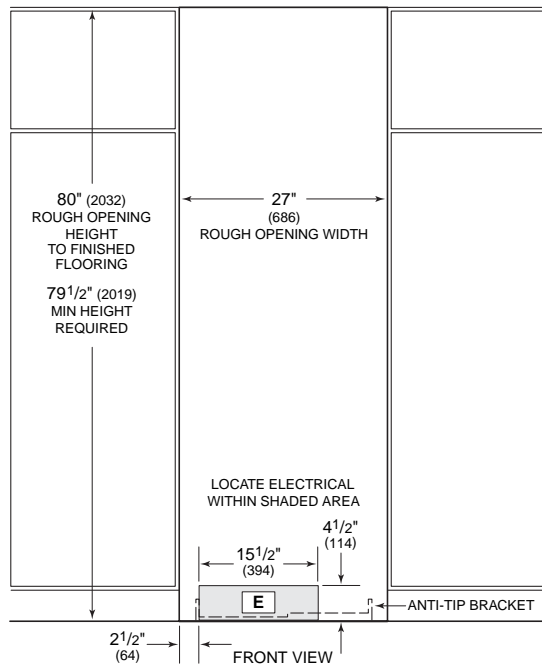
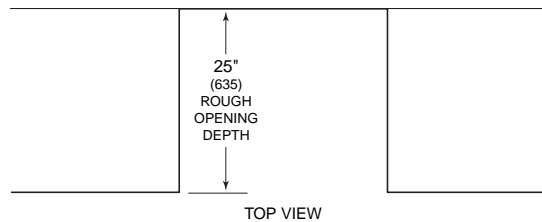
INSTALLATION SPECIFICATIONS

Models 427 | 427R

Dimensions are for finished rough openings.

Door swing clearances are based on stainless steel door and handle dimensions.

IMPORTANT NOTE: The depth of Models 427 and 427R is 24" (610) from the front of the unit to its back. Your design may necessitate moving the unit back or cabinets forward to achieve a flush fit. This will require a minimum rough opening depth of 25" (635).

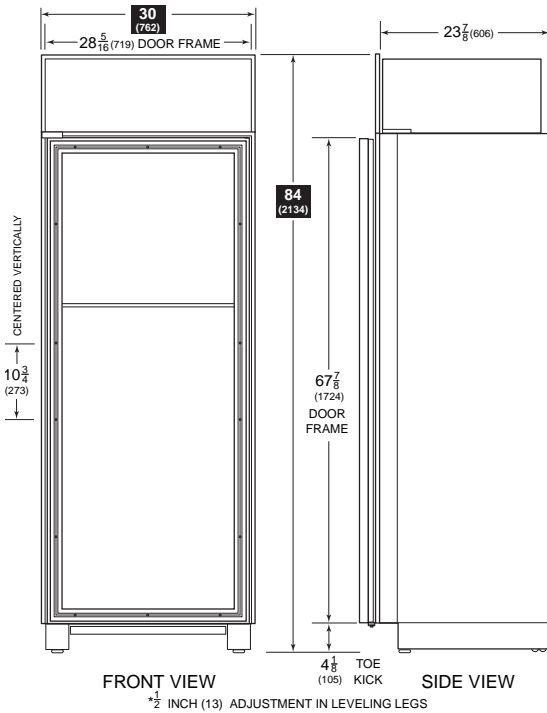


Dimensions in parentheses are in millimeters unless otherwise specified.



OVERALL DIMENSIONS

All Wine Storage - Model 430



ALL WINE STORAGE

Model 430
 Built-In

OVERALL DIMENSIONS
 Model 430

Width 30" (762)
 Height 84" (2134)
 Depth 24" (610)

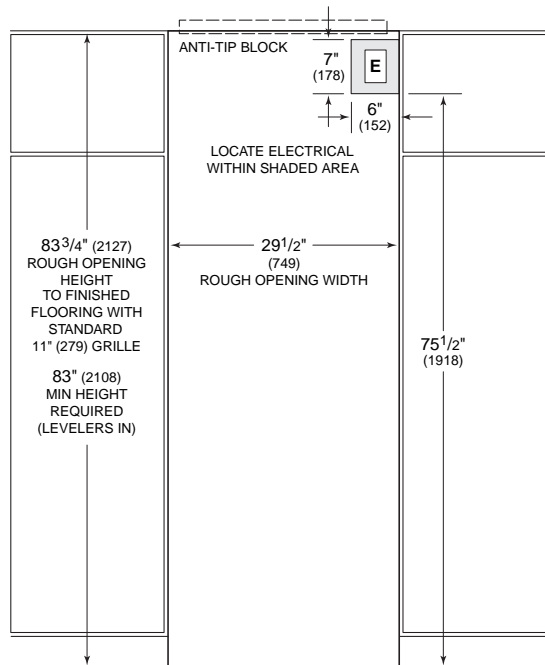
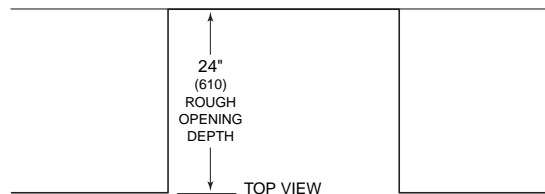
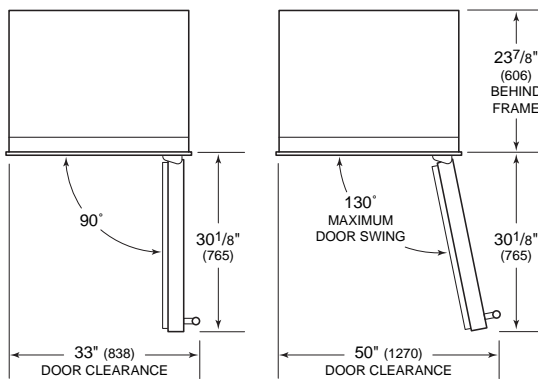
Note the location of pre-drilled holes for optional handle hardware.

INSTALLATION SPECIFICATIONS

All Wine Storage - Model 430

Dimensions are for finished rough openings.

Door swing clearances are based on stainless steel door and handle dimensions.



Refer to installation instructions shipped with each Wolf product for detailed specifications.



DOOR PANELS

Unless you are installing a stainless steel model, you will need to provide a complete door panel in the instance of a solid door model, or a frame for the glass door application where wine will be seen from the outside. If you order a stainless steel unit, Models 315W, 424, 424FS and 430 will be shipped with their panels and hardware installed and you will merely install the Sub-Zero. However, for Models 427 and 427R, you will have to have the stainless steel panels and handles installed.

Wine Storage solid door models are available as a special order. You must allow 90 days from the time of order until you can expect delivery.

MODEL 424FS - FREE-STANDING

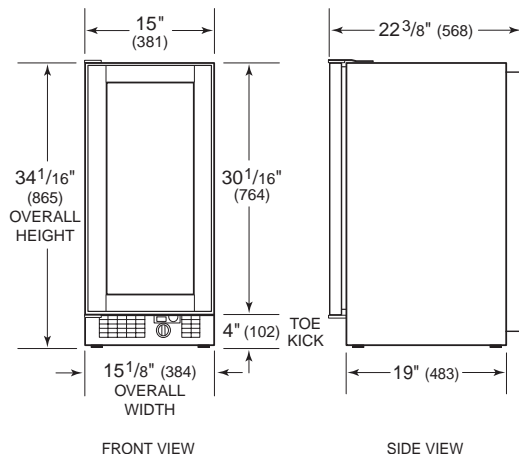
The free-standing Model 424FS does not require any panels or surrounding cabinetry. It has a beautiful classic stainless steel exterior, door frame and handle. Refer to the Overall Dimensions illustration for the Model 424FS.

ACCESSORIES

Optional accessories are available through your Sub-Zero dealer. To obtain local dealer information, visit the Showroom Locator section of our website, subzero.com.

CABINETRY DIMENSIONS

Model 315W



OVERLAY PANEL SPECIFICATIONS

Model 315W

Door Panel Width	15" (381)
Door Panel Height	30 1/16" (764)
Min Width of Rails and Stiles	2 1/4" (57)
Door Frame Panel Weight Limit	10 lbs (5 kg)
Min Panel Thickness	5/8" (16)

Dimensions in parentheses are in millimeters unless otherwise specified.



**OVERLAY PANELS -
MODELS 315W | 424**

The overlay panel applied to Models 315W and 424 should not be confused with the Built-In overlay panel application. The overlay panel will consist of only a frame and would be either the 5/8" (16) or 3/4" (19) thick panel you may be using. It is affixed directly to the door itself with screws through a series of pre-drilled holes in the perimeter of the door itself. You do not need any backer or spacer panel.

Refer to the Overall Dimensions and Cabinetry Dimensions illustrations for Models 315W and 424 to give you a better idea of the exact space our unit needs and how the panel fits in relationship with the unit.

The glass door opening of the standard Model 315W and 424 are designed to be exposed to room air circulation. Decorative overlays on the glass should be kept to a minimum. Also, rails and stiles can be increased in size but should not exceed cabinet manufacturers' standard width. They cannot exceed overall door panel dimensions specified, as they would interfere with the operation of the door. The back sides of rails and stiles that will be visible through the glass door will need to be finished. Also, the inside edges of the frames must be finished to match the front surface.

The Overall Dimensions illustrations show the location of predrilled holes for optional handle hardware. Refer to page 64 for specifics about installing handles on this overlay application.

IMPORTANT NOTE: Wine Storage models with a solid door are available as a special order and require 90 days for delivery. When ordering panels for a solid door unit, follow the overall panel dimensions listed; rail and stile dimensions do not apply. Model 315W is not available with a solid door.

IMPORTANT NOTE: When planning to install the Model 315W or 424 next to adjoining cabinetry, you must make provisions to allow the door to open to a maximum of 145° and not interfere with the door panel. Refer to the full-scale illustration at the end of this section.

INSTALLATION

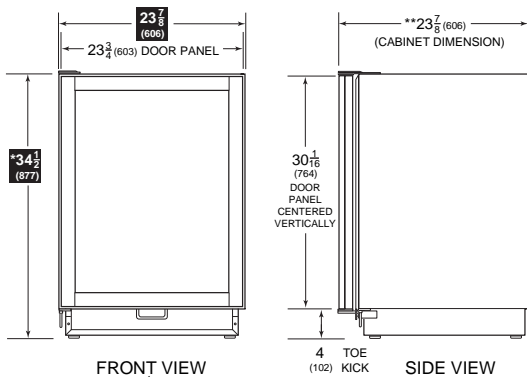
To install overlay panels, see the detailed procedures outlined in the Sub-Zero Wine Storage Installation Instructions.

CAUTION

A solid panel must not be installed on a glass door unit, as this may cause moisture to form behind the panel.

CABINERY DIMENSIONS

Model 424



** MODEL 424/S (STAINLESS STEEL WRAPPED DOOR) FINISHES OFF AT 23 1/2 INCHES DEEP

OVERLAY PANEL SPECIFICATIONS

Model 424

Door Panel Width	23 3/4" (603)
Door Panel Height	30 1/16" (764)
Min Width of Rails and Stiles	2 1/4" (57)
Door Frame Panel Weight Limit	10 lbs (5 kg)
Solid Door Panel Weight Limit	20 lbs (9 kg)
Min Panel Thickness	5/8" (16)



INTEGRATED PANELS - MODELS 427 | 427R

The integrated full panels or frame panels for glass doors for these models will follow some of the identical planning processes used with the Integrated line. The installation of the door panels is completely different, however. Rather than using the mounting hardware we used with the Integrated line, door panels for both Models 427 and 427R will be applied with screws applied through our door.

The drawer panels for the Model 427R will be applied using the Integrated technique of mounting brackets.

Refer to the Overall Dimensions and Cabinetry Dimensions illustrations for Models 427 and 427R to give you a better idea of the exact space our unit needs and how the panel fits in relationship with the unit.

IMPORTANT NOTE: The depth of Models 427 and 427R is 24" (610) from the front of the unit to its back. You **must** allow for the thickness of the panel you are applying when planning for the finished rough opening depth if you want the front panel to be flush with surrounding cabinetry. You may have to move the unit back into the drywall or bring the cabinets forward. Refer to the Integrated Refrigeration section.

IMPORTANT NOTE: The glass door opening of the standard Models 427 and 427R is designed to be exposed to room air circulation. Decorative overlays on the glass should be kept to a minimum. While the cabinet front stiles are a minimum of 2 1/4" (57) for both Models 427 and 427R, the top and bottom rails are different.

Rails and stiles can be increased in size but should not exceed cabinet manufacturers' standard width. They cannot exceed overall door panel dimensions specified, as they would interfere with the operation of the door. The back sides of rails and stiles that will be visible through the glass door will need to be finished. Also, the inside edges of the frames must be finished to match the front surface.

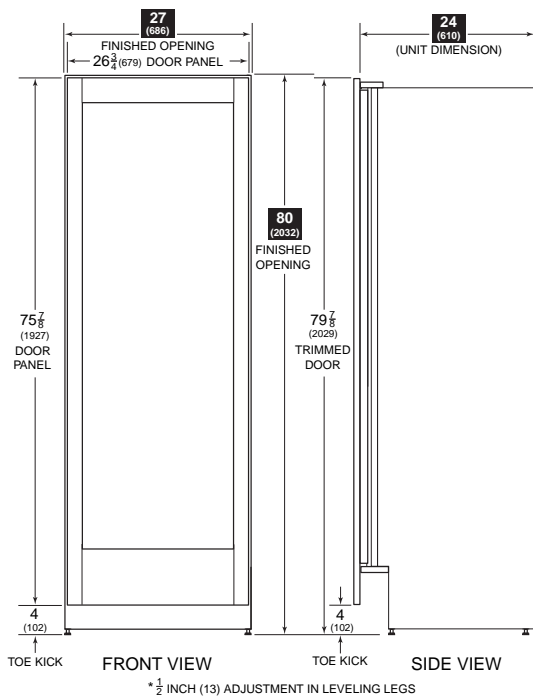
IMPORTANT NOTE: The inside edges of the rough opening will need to be finished as they will be exposed when the doors are open.

ACCESSORIES

Optional accessories are available through your Sub-Zero dealer. To obtain local dealer information, visit the Showroom Locator section of our website, subzero.com.

CABINETRY DIMENSIONS

Model 427



Dimensions in parentheses are in millimeters unless otherwise specified.

INTEGRATED PANEL SPECIFICATIONS

Model 427

Door Panel Width	26 3/4" (679)
Door Panel Height	75 7/8" (1927)
Min Width of Top Rail	3 3/4" (95)
Min Width of Bottom Rail	8" (203)
Min Width of Stiles	2 1/4" (57)
Door Frame Panel Weight Limit	20 lbs (9 kg)
Solid Door Panel Weight Limit	40 lbs (18 kg)
Min Panel Thickness	5/8" (16)



**INTEGRATED PANELS –
MODELS 427 | 427R**

IMPORTANT NOTE: The dimensions of these panels and stiles are assuming the models finish off at 80" (2032) in height overall and have a 4" (102) toe kick for the Model 427. If you finish off at 84" (2134), for instance, you must add 4" (102) additional to the overall height of the panel and remember to add 4" (102) to the top rail. Likewise, if you allow for a 6" (152) toe kick for the Model 427, you must subtract 2" (51) from the bottom rail.

Door panels for Models 427 and 427R can grow beyond the 80" (2032) height to accommodate any size door as long as you stay below door panel weight limit of 20 lbs (9 kg) for glass door units and 40 lbs (18 kg) for solid door units. Refer to the specifications under Door Panel Height on page 47 of the Integrated section.

IMPORTANT NOTE: The toe kick area on the Model 427 cannot be larger than 6" (152), and no larger than 9" (229) for the 427R. The toe kick area for either model cannot be less than 4" (102).

In the Overall Dimensions illustrations, note the location of pre-drilled holes for optional handle hardware. Refer to page 64 for specifics about installing handle hardware on this overlay application.

IMPORTANT NOTE: If you are installing Sub-Zero's optional lock kit on a Model 427 or 427R, you may have to order door panels that exceed the 80" (2032) finished height. Consult the lock kit installation instructions and see if your panels will allow for an adequate installation. To obtain these instructions, check our website, subzero.com.

IMPORTANT NOTE: In the panel specifications for Model 427R, the bottom drawer panel height is based on a 4" (102) toe kick. If you want to show a 6" (152) toe kick, you must subtract 2" (51) from the bottom drawer panel height.

IMPORTANT NOTE: Wine Storage models with a solid door are available as a special order and require 90 days for delivery. When ordering panels for a solid door unit, follow the overall panel dimensions indicated in the chart; rail and stile dimensions do not apply.

INSTALLATION

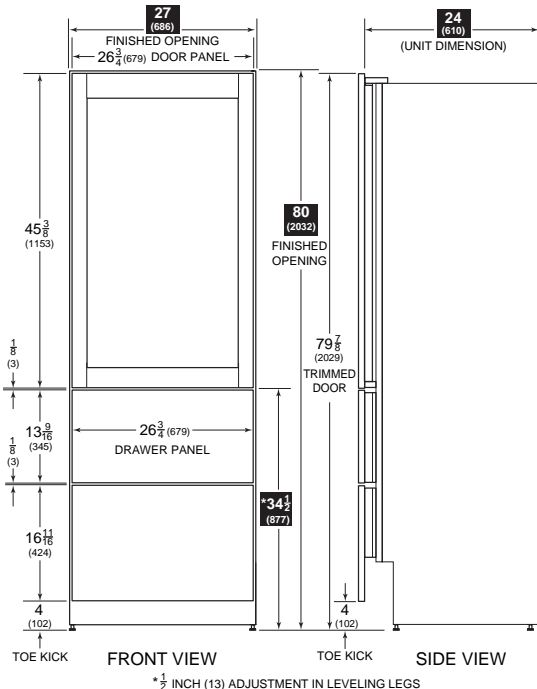
To install integrated panels, see the detailed procedures outlined in the Sub-Zero Wine Storage Installation Instructions.

⚠ CAUTION

A solid panel must not be installed on a glass door unit, as this may cause moisture to form behind the panel.

CABINETRY DIMENSIONS

Model 427R



INTEGRATED PANEL SPECIFICATIONS

Model 427R

Door Panel Width	26 3/4" (679)
Door Panel Height	45 3/8" (1153)
Min Width of Top Rail	3 3/4" (95)
Min Width of Bottom Rail	3" (76)
Min Width of Stiles	2 1/4" (57)
Door Frame Panel Weight Limit	20 lbs (9 kg)
Solid Door Panel Weight Limit	40 lbs (18 kg)
Top Drawer Panel Width	26 3/4" (679)
Top Drawer Panel Height	13 9/16" (345)
Bottom Drawer Panel Width	26 3/4" (679)
Bottom Drawer Panel Height	16 11/16" (424)
Drawer Panel Weight Limit	12 lbs (5 kg) each
Min Panel Thickness	5/8" (16)

**MODEL 430 – FRAMED PANELS**

You cannot use a 1/4" (6) panel to cover the glass door of a framed Model 430. It is fine when applying a panel to the solid door, but in either instance, you should consider using raised panels with a minimum 5/8" (16) thickness.

When using a raised framed panel, you must allow for the edge to be routed 1/4" (6) around the panel to ensure a proper fit. Refer to illustration 1.

With the framed Model 430, you will receive an extruded handle identical in appearance to the Built-In models. However, it will be an extended handle and will enable you to use raised panels without providing finger clearance to open the door.

IMPORTANT NOTE: Wine Storage models with a solid door are available as a special order and require 90 days for delivery. When ordering panels for a solid door unit, follow the overall panel dimensions indicated; rail and stile dimensions do not apply.

▲ CAUTION

A solid panel must not be installed on a glass door unit, as this may cause moisture to form behind the panel.

MODEL 430 – OVERLAY PANELS

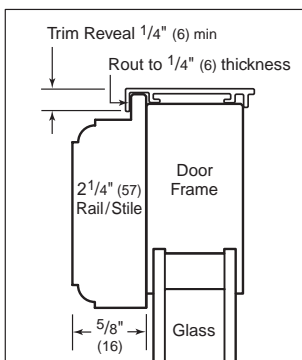
Your overlay model will be shipped without handle hardware and with an 11" (279) overlay panel grille as standard equipment. You will need to order a panel for the grille and hardware to complement your surrounding cabinetry.

While the overlay panel design offers you a more seamless appearance, you need to be aware of adjacent cabinets and/or countertops when the door is opened. Refer to the full-scale illustrations at the end of the Built-In section.

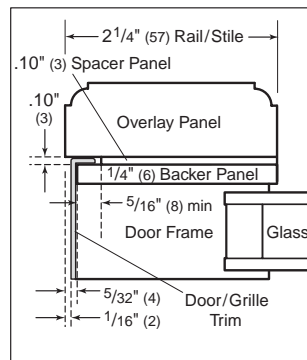
To achieve the overlay look, you need three different panels—the decorative overlay panel, a 0.10" (3) spacer panel and a 1/4" (6) backer panel. Depending on your cabinet manufacturer, this could be one panel routed for different dimensions or more likely, three different panels. Refer to the Overlay Panel Specifications for complete details on the overlay sizing. In addition, illustrations 2 and 3 will give you a better idea of the panel construction and how it interacts with our frame.

The glass door opening of the standard Model 430 is designed to be exposed to room air circulation. Decorative overlays on the glass should be kept to a minimum. Also, rails and stiles can be increased in size but should not exceed cabinet manufacturers' standard width. They cannot exceed overall door panel dimensions specified, as they would interfere with the operation of the door.

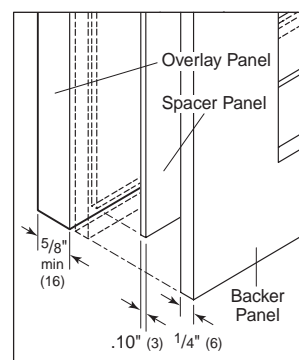
The back sides of rails and stiles that will be visible through the glass door will need to be finished. Also, the inside edges of the frames must be finished to match the front surface.



Illus. 1



Illus. 2



Illus. 3



MODEL 430 – OVERLAY PANELS

As with the Sub-Zero Built-In models, you have the flexibility of ordering grilles in a variety of heights for either the framed or overlay application. Optional panel grille dimensions for the framed Model 430 are the same as listed for Built-In Models 611 and 611G on page 21.

Overlay grille panel dimensions for the overlay Model 430, standard 11" (279) grille, are listed below. Refer to page 25 for optional grille height dimensions. The width of the overlay grille, spacer and backer panel will be the same regardless of the height.

In addition, side panel information for a Model 430 is available on page 26 of the Built-In section. Refer to illustration 12 on page 26 for placement of toe kick and grille area cut-outs.

IMPORTANT NOTE: Wine Storage models with a solid door are available as a special order and require 90 days for delivery. When ordering panels for a solid door unit, follow the overall panel dimensions indicated; rail and stile dimensions do not apply.

⚠ CAUTION
A solid panel must not be installed on a glass door unit, as this may cause moisture to form behind the panel.

INSTALLATION

To install framed or overlay panels, see the detailed procedures outlined in the Sub-Zero Wine Storage Installation Instructions.

CABINETRY DIMENSIONS

Model 430



FRAMED PANEL SPECIFICATIONS

Model 430 – Framed (F)

Framed Door Panel Width	28⁷/₈" (714)
Framed Door Panel Height	67¹¹/₁₆" (1719)
Min Width of Rails and Stiles	2¹/₄" (57)
Door Frame Panel Weight Limit	25 lbs (11 kg)
Solid Door Panel Weight Limit	50 lbs (23 kg)
Min Panel Thickness	5/8" (16)

OVERLAY PANEL SPECIFICATIONS

Model 430 – Overlay (O)

Overlay Door Panel Width	28⁷/₁₆" (722)
Overlay Door Panel Height	68" (1727)
Spacer Panel Width	27¹/₂" (699)
Spacer Panel Height	67¹/₁₆" (1073)
Backer Panel Width	28¹/₈" (714)
Backer Panel Height	67¹¹/₁₆" (1719)
Min Width of Rails and Stiles	2¹/₄" (57)
Door Frame Panel Weight Limit	25 lbs (11 kg)
Solid Door Panel Weight Limit	50 lbs (23 kg)
Min Panel Thickness	5/8" (16)

GRILLE PANEL SPECIFICATIONS

Model 430 – Overlay (O)

Overlay Grille Panel Width	28⁷/₁₆" (722)
Overlay Grille Panel Height*	10¹/₄" (260)
Spacer Panel Width	27¹/₂" (699)
Spacer Panel Height*	9⁵/₁₆" (236)
Backer Panel Width	28¹/₈" (714)
Backer Panel Height*	9¹⁵/₁₆" (252)
Grille Panel Weight Limit	15 lbs (7 kg)
Min Panel Thickness	5/8" (16)

Dimensions in parentheses are in millimeters unless otherwise specified.

*Grille panel dimensions are for standard 11" (279) grille. Refer to page 25 for optional grille heights.



HARDWARE CONSIDERATIONS

With Models 315W and 424 (overlay), Models 427 and 427R (integrated) and the Model 430 (overlay), you must supply your own handle hardware. It is recommended you use our optional handles and use the pre-drilled holes supplied to locate the handles within the frame of our unit. The metal frame on the door has numerous mounting holes on each side to accommodate Sub-Zero accessory handles. This will allow you to provide the best possible handle alignment and not take away from the strength of the stile in this area after the unit is used a number of times. We recommend using a pull handle and not a pull knob.

If you elect to place different hardware on these units, we encourage you to fasten the hardware by passing through our door and attaching the hardware through the Sub-Zero door's frame.

Optional stainless steel handles are available in a variety of diameters and lengths, as are handles to match the color and style of Wolf ovens. Contact your Sub-Zero dealer for specifics.

⚠ CAUTION

When planning for hardware, refer to the Door Frame Profile full-scale illustration on the following page to give you a better understanding of the unit's frame and positioning of the glass for the door. You must not drill through this glass.

WINE SHELF WOOD FACING

Sub-Zero has provided a natural cherry wood facing to its wine storage shelves in each model. You can also replace these strips with wood more complementary to your design and surrounding cabinetry.

The Wine Shelf Wood Facing illustration on the following page can be used as a full-scale template. You must follow the layout of this format to accommodate the shelves properly. To remove the cherry strips, take the shelves out and remove the screws. Reverse the procedure to affix the new wood.

If you choose to stain or seal the wood facing, be aware that some of these substances are hazardous and will damage stored wine.

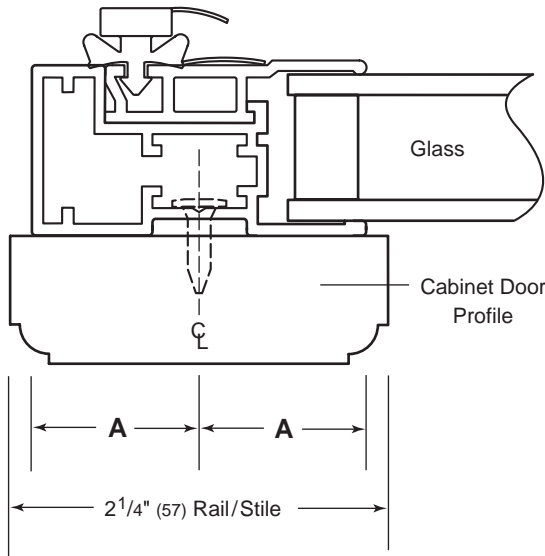
ACCESSORIES

Optional accessories are available through your Sub-Zero dealer. To obtain local dealer information, visit the Showroom Locator section of our website, subzero.com.

Dimensions in parentheses are in millimeters unless otherwise specified.



DOOR FRAME PROFILE



This full-scale illustration is typical of the Model 424 door frame profile; details of the other Wine Storage door frames will vary slightly.

DOOR FRAME HANDLE OFFSET
Wine Storage Models

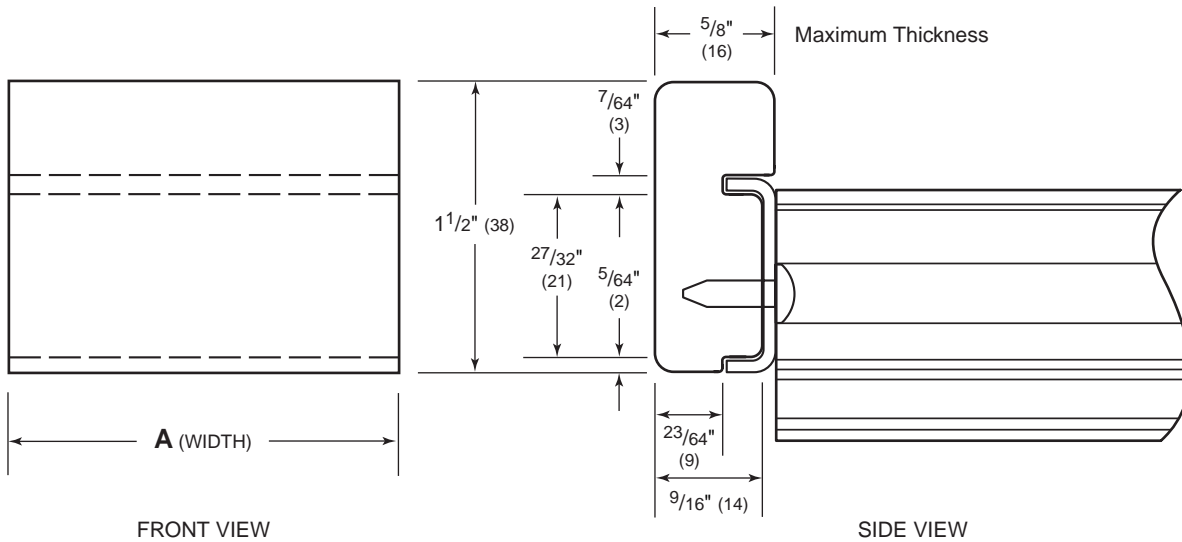
Dimension A	
Model 315W	1" (25)
Model 424	1" (25)
Model 427	7/8" (22)
Model 427R	7/8" (22)
Model 430	15/16" (24)

FULL-SCALE TEMPLATES

The full-scale illustrations on the following pages enable you to understand some of the unique situations you may face as you plan for the installation of the Wine Storage units. Use these illustrations as templates.

IMPORTANT NOTE: Rails and stiles must be a minimum of 2 1/4" (57) wide (except for the rails of Models 427 and 427R, which must be wide enough to cover the door hinges). The back sides of rails and stiles that will be visible through the glass door will need to be finished.

WINE SHELF WOOD FACING



This full-scale illustration provides the dimensions you will need should you choose to replace the natural cherry wood facing of each wine shelf with wood more complementary to your design and surrounding cabinetry.

IMPORTANT NOTE: Dimensions will vary for Model 315W. Additional information can be found in the Specifications pdf file for Model 315W on our website, subzero.com.

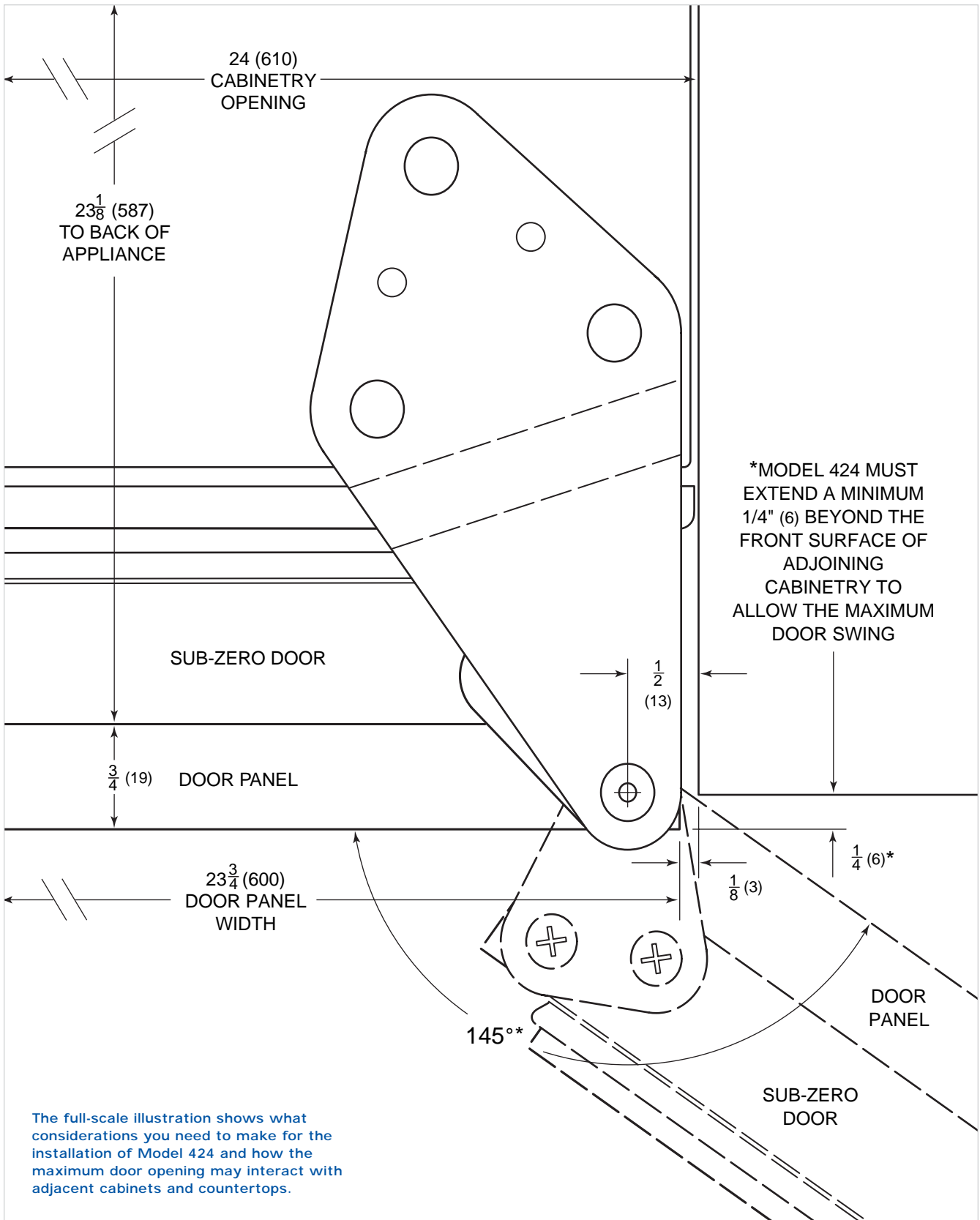
WINE SHELF WOOD FACING
Wine Storage Models

Dimension A	
Model 315W*	10 15/16" (278)
Model 424	19 1/2" (495)
Model 424FS	19 1/2" (495)
Model 427	20 15/16" (532)
Model 427R	20 15/16" (532)
Model 430	24 9/16" (624)

*Dimensions will vary for Model 315W.



MODEL 424 - DOOR CLOSED AND 145° MAX OPENING



SUB-ZERO PRODUCTS LIMITED WARRANTY

RESIDENTIAL USE ONLY

FULL FIVE YEAR SEALED SYSTEM WARRANTY LIMITED SIXTH THROUGH TWELFTH YEAR WARRANTY ON THE SEALED SYSTEM FULL TWO YEAR WARRANTY ON TOTAL PRODUCT*

FULL FIVE YEAR SEALED SYSTEM WARRANTY

For five years from the date of original installation, your Sub-Zero warranty covers all parts and labor to repair or replace any components that prove to be defective in materials or workmanship in the sealed system. The sealed system consists of the compressor, condenser, evaporator, drier and all connecting tubing.

FULL TWO YEAR WARRANTY*

For two years from the date of original installation, your Sub-Zero warranty covers all parts and labor to repair or replace any part of the product, that proves to be defective in materials or workmanship.

LIMITED SIXTH THROUGH TWELFTH YEAR SEALED SYSTEM WARRANTY

From the 6th through the 12th year from the date of original installation, your Sub-Zero warranty covers all parts that prove to be defective in materials or workmanship in the sealed system (parts only). The sealed system consists of the compressor, condenser, evaporator, drier and all connecting tubing.

TERMS APPLICABLE TO EACH WARRANTY

All service provided by Sub-Zero under the above warranty must be performed by an authorized Sub-Zero service center, unless otherwise specified by Sub-Zero. Service will be provided in the home during the normal business hours. This warranty applies only to products installed for normal residential use. Details regarding a non-residential warranty are available upon request.

The warranty applies only to products installed in any one of the fifty states of the United States, the District of Columbia or the ten provinces of Canada. This warranty does not cover any parts or labor to correct any defect caused by negligence, accident or improper use, maintenance, installation, service or repair, including but not limited to improper removal and reinstallation (whether in the unit or at a remote location) of the condensing unit.

THE REMEDIES DESCRIBED ABOVE FOR EACH WARRANTY ARE THE ONLY ONES THAT SUB-ZERO WILL PROVIDE, EITHER UNDER THESE WARRANTIES OR UNDER ANY WARRANTY ARISING BY OPERATION OF LAW. SUB-ZERO WILL NOT BE RESPONSIBLE FOR ANY CONSEQUENTIAL OR INCIDENTAL DAMAGES ARISING FROM THE BREACH OF THESE WARRANTIES OR ANY OTHER WARRANTIES, WHETHER EXPRESS, IMPLIED OR STATUTORY.

Some states do not allow the exclusion or limitation of incidental or consequential damages, so the above limitation or exclusion may not apply to you. This warranty gives you specific legal rights and you may also have other legal rights, which vary from state to state.

To receive parts and/or service and the name of the Sub-Zero authorized service center nearest you, contact your Sub-Zero dealer, distributor or the Sub-Zero Customer Service Department, P.O. Box 44130, Madison Wisconsin, 53744-4130; check the Constant Care section of our website, subzero.com, or call 800-222-7820.

*Stainless Steel (classic, platinum and carbon) doors, panels, product frames and stainless interior surfaces are covered by a limited 60 day parts and labor warranty for cosmetic defects.

*Replacement water filter cartridges are not covered by the product warranty.



SUB-ZERO OUTDOOR PRODUCTS LIMITED WARRANTY

RESIDENTIAL USE ONLY

FULL FIVE YEAR SEALED SYSTEM WARRANTY FULL ONE YEAR WARRANTY ON TOTAL PRODUCT*

FULL FIVE YEAR SEALED SYSTEM WARRANTY

For five years from the date of original installation, your Sub-Zero warranty covers all parts and labor to repair or replace any components that prove to be defective in materials or workmanship in the sealed system. The sealed system consists of the compressor, condenser, evaporator, drier and all connecting tubing.

FULL ONE YEAR WARRANTY*

For one year from the date of original installation, your Sub-Zero warranty covers all parts and labor to repair or replace any part of the product which proves to be defective in materials or workmanship.

TERMS APPLICABLE TO EACH WARRANTY

All service provided by Sub-Zero under the above warranty must be performed by an authorized Sub-Zero service center, unless otherwise specified by Sub-Zero. Service will be provided in the home during the normal business hours. This warranty applies only to products installed for normal residential use. Details regarding a non-residential warranty are available upon request.

The warranty applies only to products installed in any one of the fifty states of the United States, the District of Columbia or the ten provinces of Canada. This warranty does not cover any parts or labor to correct any defect caused by negligence, accident or improper use, maintenance, installation, service or repair, including but not limited to improper removal and reinstallation (whether in the unit or at a remote location) of the condensing unit.

THE REMEDIES DESCRIBED ABOVE FOR EACH WARRANTY ARE THE ONLY ONES THAT SUB-ZERO WILL PROVIDE, EITHER UNDER THESE WARRANTIES OR UNDER ANY WARRANTY ARISING BY OPERATION OF LAW. SUB-ZERO WILL NOT BE RESPONSIBLE FOR ANY CONSEQUENTIAL OR INCIDENTAL DAMAGES ARISING FROM THE BREACH OF THESE WARRANTIES OR ANY OTHER WARRANTIES, WHETHER EXPRESS, IMPLIED OR STATUTORY.

Some states do not allow the exclusion or limitation of incidental or consequential damages, so the above limitation or exclusion may not apply to you. This warranty gives you specific legal rights and you may also have other legal rights which vary from state to state.

To receive parts and/or service and the name of the Sub-Zero authorized service center nearest you, contact your Sub-Zero dealer, distributor or the Sub-Zero Customer Service Department, P.O. Box 44130, Madison Wisconsin, 53744-4130; check the Constant Care section of our website, subzero.com, or call 800-222-7820.

*Stainless Steel (classic finish) doors, panels, product frames and stainless interior surfaces are covered by a limited 60 day parts and labor warranty for cosmetic defects.





The information and images in this guide are the copyright property of Sub-Zero, Inc. Neither this book nor any information or images contained herein may be copied or used in whole or in part without the express written permission of Sub-Zero, Inc.

©Sub-Zero, Inc. all rights reserved.

SUB-ZERO, INC.

P. O. BOX 44130
MADISON, WI 53744-4130
800.222.7820
SUBZERO.COM

